

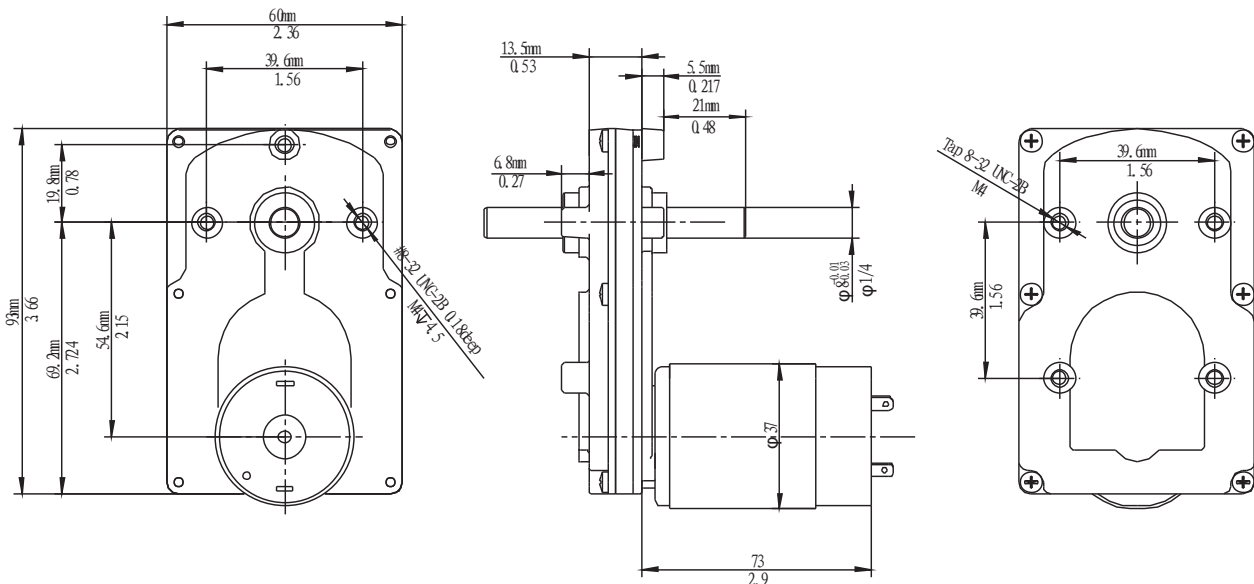
■ FD-RS550

Applications:

Auto Shutter, Cleaning Machine, Money Detector,
Peristaltic Pump, HVAC System
Electric-drive curtain, Airbreak Switch, Automatic Door-lock
Advertisement lamp, Medical Equipment
Face Tissue



■ Drawing



■ Specification

Model	Rated Voltage (V)	No Load		At Max Efficiency				Stall		Gearbox	
		Speed (RPM)	Current (A)	Speed (RPM)	Current (A)	Torque (N.m) (lb.in)		Power (W)	Torque (N.m)	Current (A)	Gear Ratio
FD-RS550-244500-21K	24	214	0.12	160	0.57	0.40	3.54	6.7	1.3	4.5	1:21
FD-RS550-244500-52K	24	86	0.12	63	0.57	1.0	8.8	6.6	3.0	4.5	1:52
FD-RS550-244500-96K	24	46	0.12	35	0.57	1.7	15	6.3	4.5	4.5	1:96
FD-RS550-244500-151K	24	29	0.12	20	0.57	2.8	24.8	5.9	8.0	4.5	1:151
FD-RS550-244500-211K	24	22	0.12	16	0.57	3.5	31.0	5.8	8.0	4.5	1:211
FD-RS550-244500-277K	24	16	0.12	11.5	0.57	4.0	35.4	4.9	8.0	4.5	1:277
FD-RS550-244500-360K	24	12.5	0.12	9	0.57	4.0	35.4	3.8	8.0	4.5	1:360
FD-RS550-244500-416K	24	10.8	0.12	7.4	0.57	4.0	35.4	3.1	8.0	4.5	1:416

Optional Motors: RS540/RS545/RS550/RS555
Voltage can make as customer's requirement.

- For more detailed information, feel free to contact us.
Tel: 86-574-88269898 Fax: 86-574-56664788 export@fengtech.com